

Important Dates

- **30 April 2016** - Deadline for abstract submission
- **15 May 2016** - Notification of acceptance
- **15 June 2016** - Deadline for conference fee payment
- **10 July 2016** - Deadline for submission of full paper
- **30 August 2016** - Program

Accommodation & Venue

Accommodation of conference participants will be provided at the „Orle Gniazdo” hotel, in Hucisko village located in Jura of Kraków-Częstochowa.

<http://www.orlegniazdo.pl>



Hotel „Orle Gniazdo” is located in Jura of Kraków-Częstochowa, about 50 km from Częstochowa (**GPS N: 50° 35' 17" E: 19° 31' 19"**). There are four well-equipped conference rooms, which are fully air-conditioned. The picturesque scenery encourages active forms of tourism. There are majestic mountains and Bobolice Castle (5.4 km on foot) within a walking distance. The major attraction in Częstochowa is Jasna Góra Monastery.

The main organizer of the conference is Faculty of Mechanical Engineering and Computer Science, Częstochowa University of Technology, Poland.

<http://www.wimii.pcz.pl>

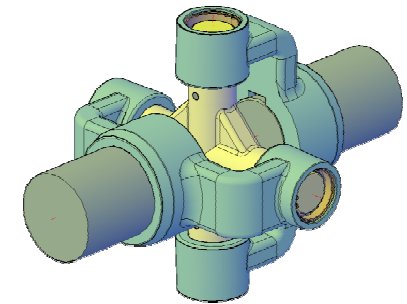


The faculty has the longest history and the richest traditions among all the faculties of Częstochowa University of Technology. Didactic process and scientific activity are realized in 6 Institutes: Institute of Theoretical and Applied Computer Science, Institute of Computational Intelligence, Institute of Thermal Machinery, Institute of Mathematics, Institute of Mechanics and Machine Design Foundations, Institute of Mechanical Technologies. Each Institute has numerous didactic and research laboratories, provided with modern equipment and computer software. This facilitates a high level of education and research. The faculty employs **51** professors and associate professors, **114** assistant professors, **3** assistants and **3** academic teachers.

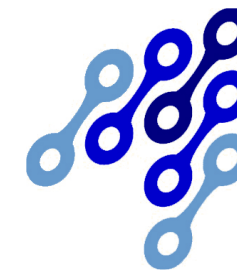
Call for papers

**XXI Polish-Slovak
Scientific Conference
on**

Machine Modeling and Simulations MMS 2016



**September 6-8, 2016
Hucisko, Poland**



**Faculty of Mechanical
Engineering and
Computer Science**
Wydział Inżynierii
Mechanicznej i Informatyki



**Under the Auspices of
Rector of Częstochowa
University of
Technology**

First announcement

Dear Colleagues,

The 21st International Polish-Slovak Conference on **Machine Modeling and Simulations 2016** continues in Poland and will be held from 6th to 8th of **September 2016** in Hucisko near Częstochowa.

This international conference was established in 1996 and is held annually since then.

Scientific Committee

Prof. Norbert Sczygiol – Dean of the Faculty
Prof. Jerzy Bajkowski
Prof. Jozef Bocko
PhD. Eng. Maciej Bodnicki
Assoc. Prof. Vladimír Dekýš
Assoc. Prof. Grzegorz Domek
Prof. Marian Dudziak
Assoc. Prof. Robert Grega
Prof. Ardeshir Guran
Prof. Danuta Jasińska-Choromańska
Assoc. Prof. Marta Kianicová
Prof. Małgorzata Klimek
Assoc. Prof. Andrzej Kołodziej
Assoc. Prof. Ivan Kopal
Assoc. Prof. Jan Krmela
Assoc. Prof. Pavol Lizák
Prof. Ireneusz Malujda
Assoc. Prof. Ladislav Matejíčka
Prof. Janusz Mielniczuk
Assoc. Prof. Milan Naď
Prof. Darina Ondrušová
Prof. Jerzy Osinski
Prof. Mariana Pajtášová
Prof. Františka Pešlová
Assoc. Prof. Wiesława Piekarska
Prof. Bogdan Posiadała
Assoc. Prof. Jerzy Rojek
Dr.h.c. MSc. Štefan Rosina
Prof. Milan Sága
Assoc. Prof. Alžbeta Sapietová
Prof. Ján Sládek

Assoc. Prof. Petra Skalková
PhD. Eng. Ksawery Szykiedans
PhD. Eng. Krzysztof Talaśka
Doc. PhD. Eng. Stefan Tomaszek
Dr.h.c. mult. Prof. František Trebuňa
Assoc. Prof. Milan Vaško
Prof. Ján Vavro
Prof. Robert Zalewski
Prof. Milan Žmindák

Organizing Committee

Assoc. Prof. Wiesława Piekarska - Chairman
PhD. Eng. Tomasz Domański
PhD. Eng. Elżbieta Gawrońska
PhD. Eng. Marcin Kubiak
PhD. Eng. Zbigniew Saternus
MSc. Eng. Maria Zych

Main Topics

- Methods and systems in machine design, CAD, CAM and CAE
- Modelling and simulation, structural optimization
- Machine dynamics and multibody systems simulations
- Uncertainty and stochastic analysis
- Experimental mechanics, identification and validation
- Modelling of structural materials, composites and nanomaterials
- Physical and chemical properties of materials
- Advanced industrial applications

Conference Secretariat

Marcin Kubiak, PhD. Eng.
Institute of Mechanics and Machine Design Foundations
Faculty of Mechanical Engineering and Computer Science
Częstochowa University of Technology
Dąbrowskiego 73, 42-201 Częstochowa, Poland
Phone: +48 34 3250651
E-mail: mms2016@wimii.pcz.pl
<http://wimii.pcz.pl/mms2016>

Conference fees

Participants	350 €	(VAT included)
PhD. Students	250 €	(VAT included)
Accompanying person	150 €	(VAT included)

The conference fee includes:

- food and accommodation
- book of abstracts and journal publications
- participation in all scientific sessions
- snacks and coffee
- welcome reception and closing banquet

Payment

The participation fee payment should be made before 15th of June, 2016 via the bank transfer to the account.

Payment information:

Bank name: Raiffeisen Bank Polska S.A.

SWIFT: RCBWPLPW

IBAN: PL 06 1750 1211 0000 0000 0416 8728

Details of Payment:

Name_Surname_MMS 2016/1.0066

Client: Częstochowa University of Technology, Dąbrowskiego 69, 42-201 Częstochowa, Poland

Conference Contributions

Conference contributions will include invited lectures (30 min) and contributed papers (15 min).

Publications of the papers

Full papers in English will be published in “**Procedia Engineering**” journal at Elsevier.

Conference Languages

The conference languages are English, Slovak, Polish with no simultaneous translation service.